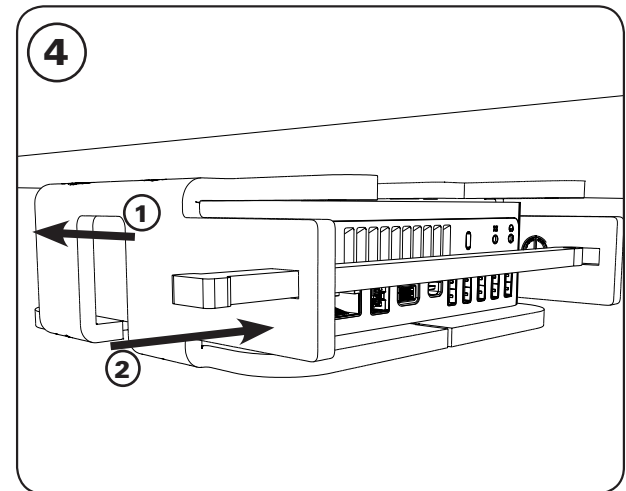
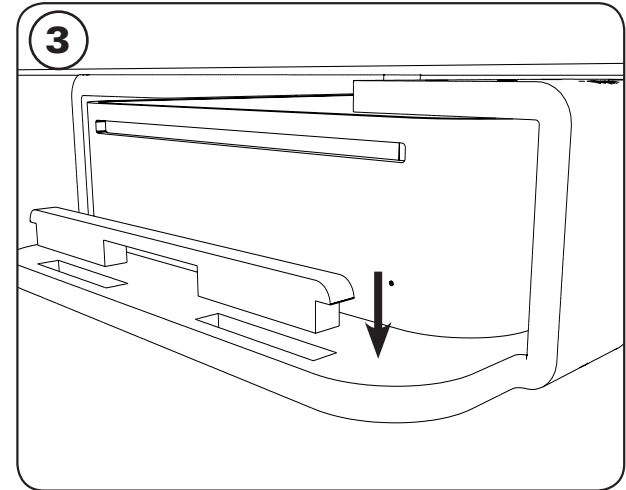
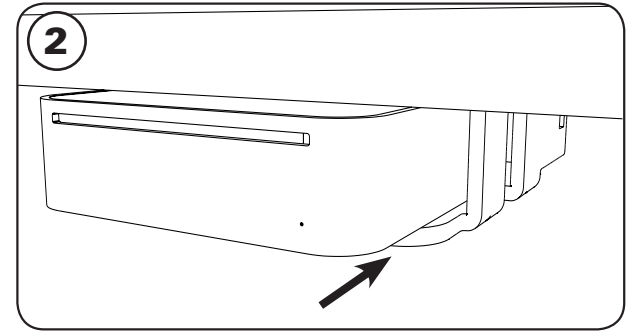
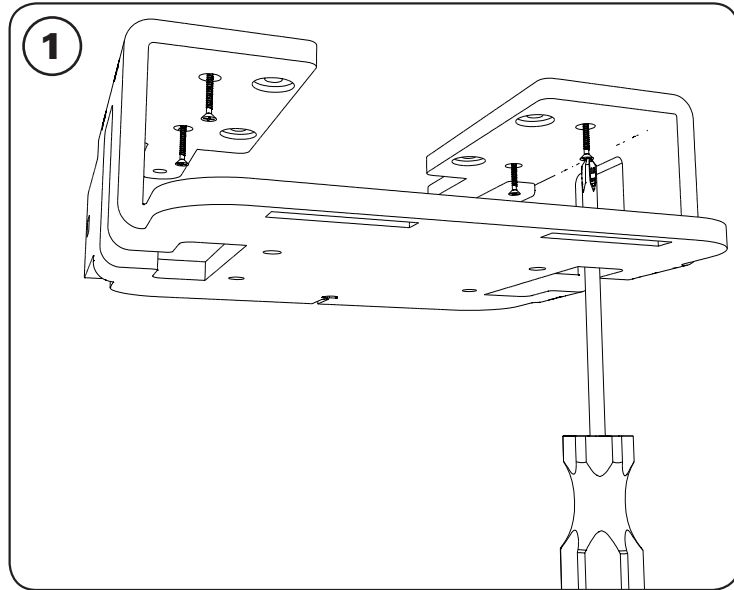
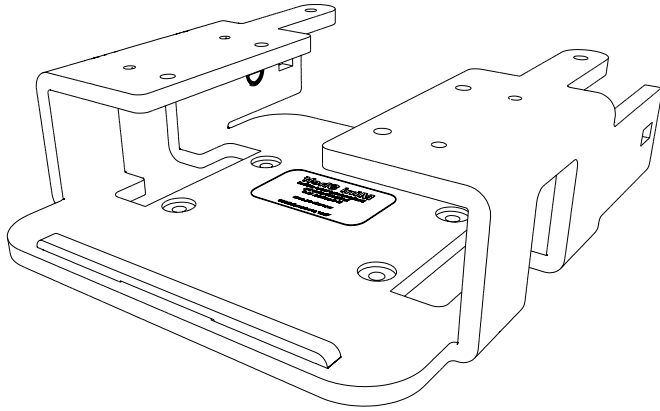


Mini Shelf

Installation Guide rev 2.0: 11-Aug-09



www.h-sq.com/support



-30°F(-34°C) ~ 180°F (82°C)



©Copyright 2009, H-Squared, LLC. All Rights Reserved. Mini Shelf and the H-Squared logo are registered trademarks of H-Squared, LLC. Mac mini and the Apple logo are trademarks of Apple, Inc. No portion of this manual may be reproduced in any form without express written consent of H-Squared, LLC.