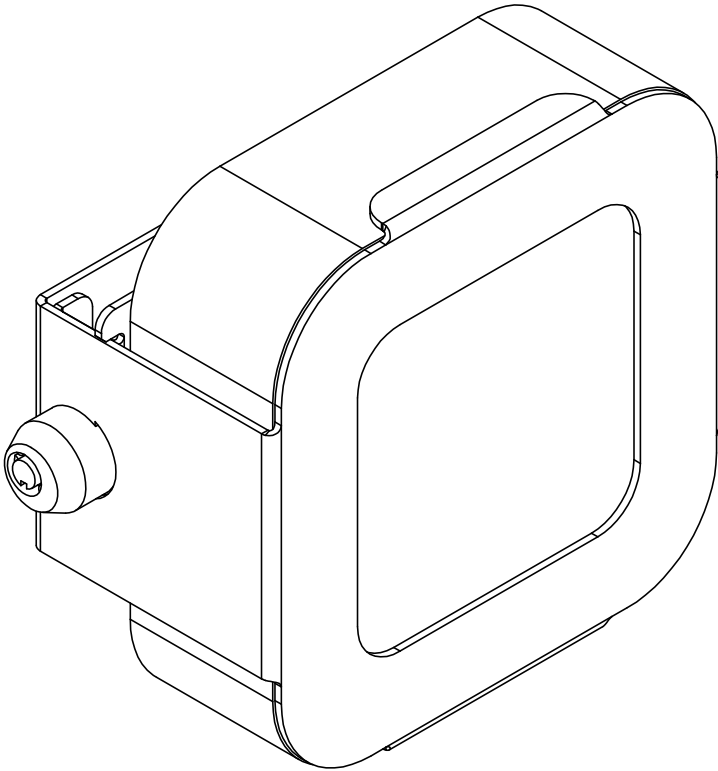


Apple TV Wall Mount



Installation Instructions

Kit P/N: 104-5196

Kit Contents

Kit Contents:

- (1) Wall Bracket
- (1) Retaining Bracket
- (1) Lock & Key

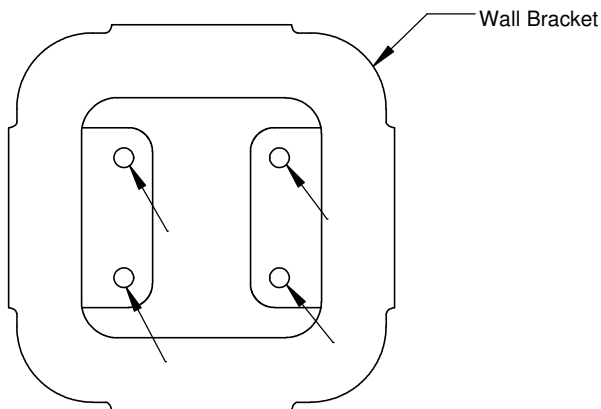
Wall Mount Hardware Package:

- (4) Pan Head Screws
- (4) Drywall Anchors

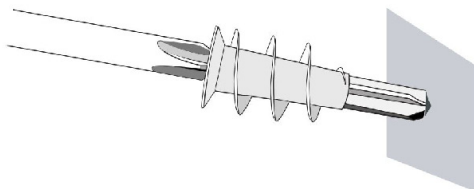
Wall Mount Instructions

Step 1 Determine Location: Select appropriate location on wall. Consider cable routing and length

Step 2 Mark Hole Positions: Hold Wall Bracket in position and mark 4 hole positions with pencil.

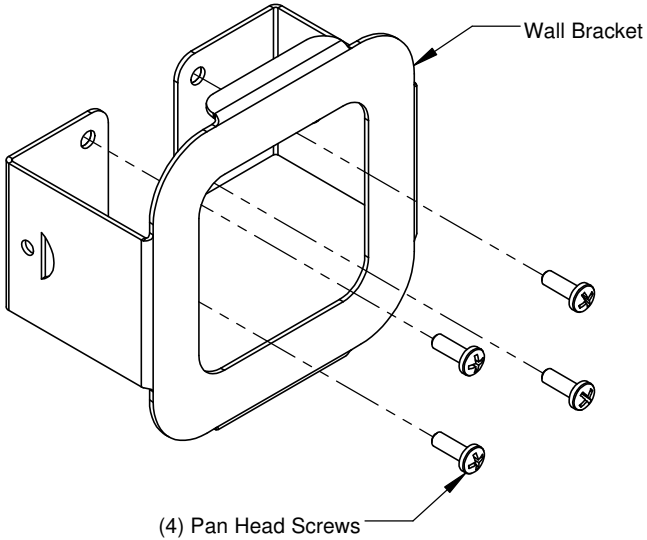


Step 3 Install Drywall Anchor: Install one Drywall Anchor at each hole mark. Using a #2 Phillips head screwdriver press the anchor into the drywall while turning clockwise until it is seated flush with the wall.

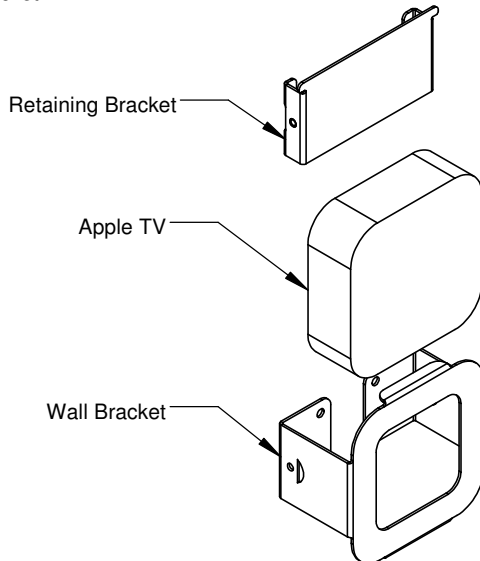


Wall Mount Instructions

Step 4 Install Wall Bracket: Install Wall Bracket to the wall using the 4 Pan Head Screws as shown below.



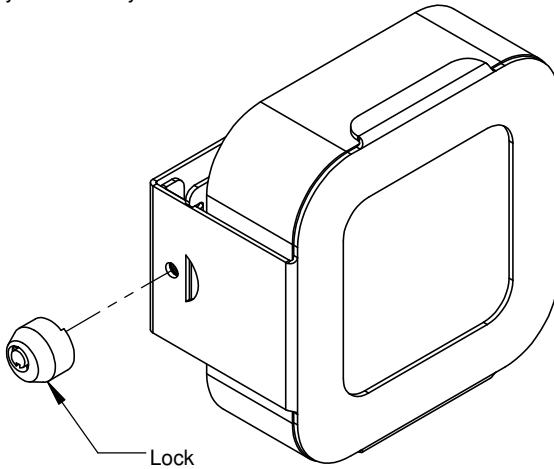
Step 5 Install Apple TV: Slide the Apple TV down into the Wall Bracket. While holding the Apple TV securely slide the Retaining Bracket in behind the Apple TV and into the Wall Bracket.



Note: Be sure to place cable connectors to be either up or down depending on preference.

Wall Mount Instructions

- Step 6** Lock Wall Mount: Install Lock by screwing into the Secure Mount as shown below. Align the protrusion on the Lock with the slot in the Wall Bracket then tighten completely with the Key.



Note: Lock can be place on either the left or right side.

Warranty Statement

Innovation First, Inc. warrants our products against defects in material and workmanship for a period of one (1) year from the date of purchase. Innovation First, Inc. liability shall be limited to repairing or replacing, at our option, any defective product.